

EE85 Series

CO₂ Transmitter and Switches for Duct Mounting

Duct mounted CO₂ transmitters and switches of the EE85 series are designed for HVAC applications. The CO₂ sensing element uses the Non-Dispersive Infrared Technology (NDIR). A patented auto-calibration procedure compensates for drift caused by the aging of the sensing element and guarantees outstanding long term stability.

Installed into a duct a small flow of air will be established by convection through the probe into the transmitter housing and back into the duct. Inside the transmitter housing the air will diffuse through a membrane into the CO₂ sensing element.

The operation in closed loop air stream avoids pollution of the CO₂ sensor.

Measuring ranges of 0...2000ppm and 0...5000ppm correspond to an analogue interface of 0 - 5/10V or 4 - 20mA. Selectively a switching output with adjustable switching point and hysteresis is available. The instruments can be easily positioned in the duct with the standard mounting flange.



Typical Applications

building management for residential and office areas
 ventilation control

Features

very simple installation
 compact housing
 auto-calibration
 traceable calibration
 measuring ranges: 0...2000ppm or 0...5000ppm
 analogue or switching output

Technical Data

Measuring Values

CO₂

Measurement principle	Non-Dispersive Infrared Technology (NDIR)	
Sensing element	E+E Dual Source Infrared System	
Measuring range	0...2000ppm / 0...5000ppm	
Accuracy at 20°C (68°F) and 1013mbar	0...2000ppm:	< ± (50ppm +2% of measuring value)
	0...5000ppm:	< ± (50ppm +3% of measuring value)
	Traceable to international standards, administrated by NIST, PTB, BEV...	
Response time τ_{63} ¹⁾	< 120s	
Temperature dependence	typ. 2ppm CO ₂ /°C	
Long term stability	typ. 20ppm / year	
Sample rate	ca. 30s	

Outputs

Analogue Outputs

0...2000ppm / 0...5000ppm	0 - 5V	-1mA < I _L < 1mA
	0 - 10V	-1mA < I _L < 1mA
	4 - 20mA	R _L < 500 Ohm

Switching Output

Max. switching voltage	50V AC / 60V DC	
Max. switching load	1A at 50V AC	1A at 24V DC
Min. switching load	1mA at 5V DC	
Contact material	Ag+Au clad	

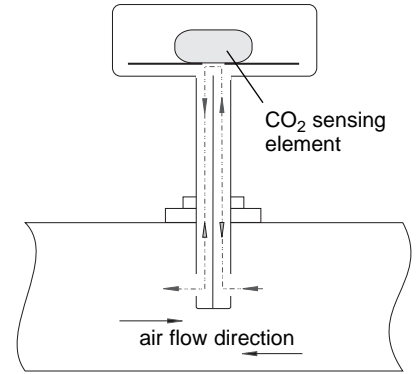
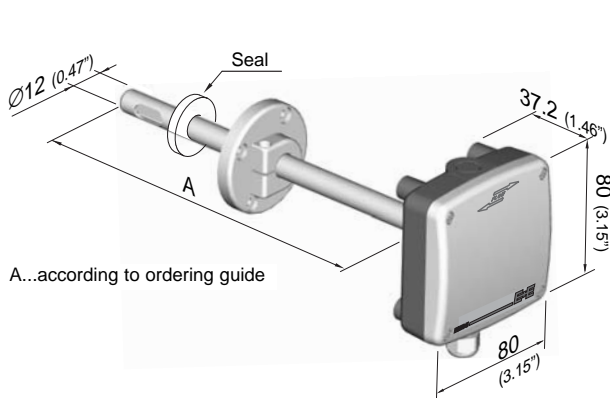
General

Supply voltage SELV	24V AC ±20%	15 - 35V DC	SELV = Safety Extra Low Voltage
Power requirement	< 3W		
Warm up time ²⁾	< 5 min		
Housing / protection class	PC / housing: IP65, probe: IP20		
Cable gland	M16 x 1.5	cable Ø 4.5 - 10 mm (0.18 - 0.39")	
Electrical connection	screw terminals max. 1.5 mm ² (AWG 16)		
Electromagnetic compatibility	EN 61000-6-3	ÖVE EN61326-1+A1+A2:05.2002	CE
	EN 61000-6-1	FCC Part 15 ICES-003 ClassB	
Working temperature and conditions	-5...55°C (23...131°F)	0...95% RH (not condensating)	
Storage temperature and conditions	-20...60°C (-4...140°F)	0...95% RH (not condensating)	

1) minimum flow speed 1m/s (200ft/min)

2) warm up time for performance according to specification

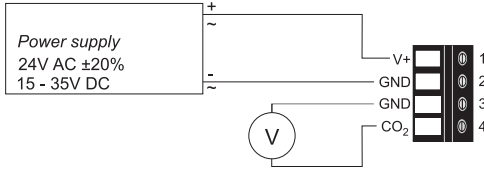
Dimensions (mm) _____ Operation Principle _____



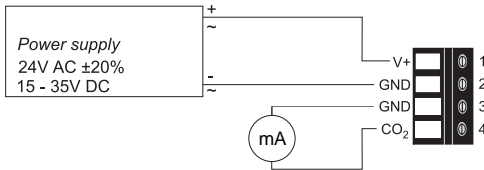
Connection Diagram _____

Analogue Outputs

EE85-xC2/3x

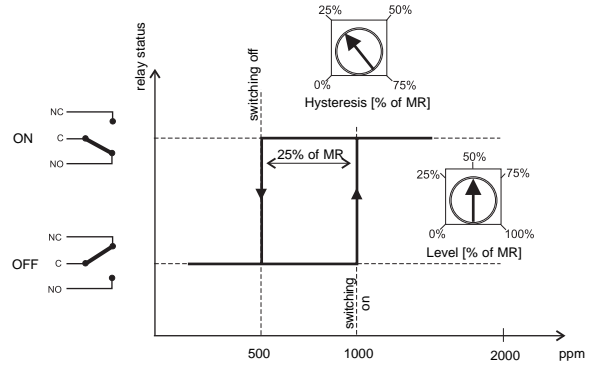
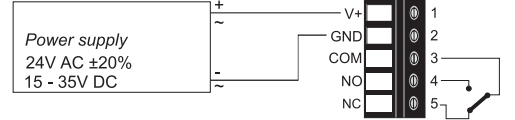


EE85-xC6x



Switching Output

EE85-xCSx



Ordering Guide _____ Order Example _____

MEASURING RANGE	MODEL	OUTPUT	PROBE LENGTH (see dimensions "A")
0...2000ppm (2)	CO ₂ (C)	0 - 5V (2)	50mm (2)
0...5000ppm (5)		0 - 10V (3)	200mm (5)
		4 - 20mA (6)	
		switching output (S)	
EE85-			

EE85-5C35
measuring range: 0...5000ppm
model: CO₂
output: 0 - 10V
probe length: 200mm